

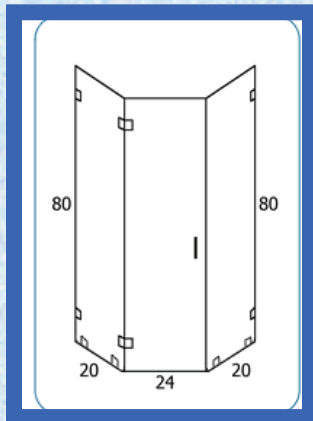


CRL HEADER-FREE SHOWER ENCLOSURE



CRITERIA

- Must use 1/2" glass on fixed panel from which the door hinges.
- Fixed panel from which the door hinges can't exceed 22" in width or 84" in height.
- Door can be either 3/8" or 1/2" glass.
- Door width not to exceed 30".
- Must use one type of the following brackets fastened to the vertical wall on the fixed panel from which the door hinges: GE90S, P190S, RO90S, or CA90S.
- The same number of brackets will be used on the wall as there are glass-to-glass hinges.
- Only a fixed panel fastened to a vertical wall can be used to hinge from. No hinging from a fixed panel fastened to another fixed panel.
- Fixed panel from which the door hinges must have valid bottom support (doesn't have to be same as bracket noted above.)



**FOR ADDITIONAL
INFORMATION
CALL
1-800-962-3211
OR VISIT
www.syracuseglass.com**